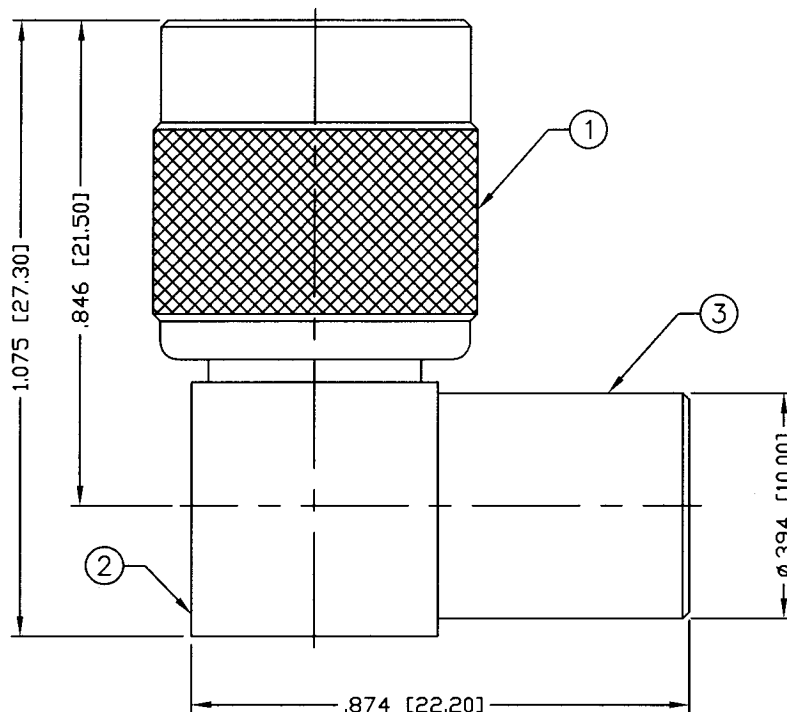


THIS DRAWING CONTAINS INFORMATION PROPRIETARY TO RF INDUSTRIES,
 ANY UNAUTHORIZED USE OF THIS DRAWING IS EXPRESSLY PROHIBITED
 WITHOUT WRITTEN PERMISSION FROM RF INDUSTRIES.
 ANY VIOLATION IS PUNISHABLE UNDER U.S. COPYRIGHT LAWS.

ALL DIMENSIONS ARE REFERENCE ONLY

PART NO.		RFE-6109		
REV	DESCRIPTION	DWN	DATE	APPROVED
-	ENGINEERING RELEASE	CZS	6/30/00	JDMc



SPECIFICATIONS:

IMPEDANCE: 50 Ohms
 FREQUENCY RANGE: 0-2 GHz
 WORKING VOLTAGE: 335 Vrms
 INSULATION RESISTANCE: 5k M ohms min.
 TEMPERATURE RANGE: -65°C TO +85°C

1	SHELL	1	BRASS	NICKEL, 100 μ "	008974	DRAWN C. ZUNIGA 1/30/04
2	BODY	1	BRASS	NICKEL, 100 μ "		
3	PRESS BODY	1	BRASS	NICKEL, 100 μ "		
4	INSULATOR	1	PTFE	----		
5	PIN	1	BRASS	GOLD, 3 μ "		
6	INSULATOR	1	PTFE	----		
7	GASKET	1	RUBBER	----		
8	RETAINING RING	1	BRASS	NICKEL, 100 μ "		
9	RING	1	DELTRIN	----		
10	WASHER	1	BRASS	NICKEL, 100 μ "	CHECKED JDMc 1/30/04	
11	PIN	1	BRASS	GOLD, 3 μ "	ORJ DRAWN C. ZUNIGA 1/30/04	
12	COVER	1	BRASS	NICKEL, 100 μ "		
13						
14						
#	DESCRIPTION	QTY	MATERIAL	FINISH	APPROVALS	DATE

UNLESS OTHERWISE SPECIFIED:

 DIMENSIONS ARE IN INCHES
 AND [MILLIMETERS]
 UNLESS OTHERWISE NOTED
 TOLERANCES ARE:
 DECIMALS DIAMETER

RF connectors
 DIVISION OF RF INDUSTRIES, LTD.

7610 MIRAMAR RD
 SAN DIEGO, CA 92126
 (858) 549-6340
 (858) 549-6345 FAX

TNC PLUG TO FME PLUG

RIGHT ANGLE, ADAPTER

SIZE A	CABLE GROUP N/A	DWG NO. RFE-6109	REV -
SCALE: NTS		CAD FILE OUTLINE	SHEET 1 OF 1